

**CMC**  
THE SPECIALIFT

**DP SERIES**  
DOUBLE PERFORMANCE





# DP SERIES

DOUBLE PERFORMANCE

## Double telescopic boom, high technology, high performance squared.

A family of true champions that offers incredible performance. This is the result of their low weight, which is made possible by the choice of high-performance materials, the outstanding manoeuvrability, with the automatic control system so advanced technologically but very simple and intuitive to use and the multiple stabilisation areas which are electronically controlled. All these characteristics make them efficient to work in any conditions.

Available in three versions, with the working heights of 27m, 30m and 32m, all with double telescopic boom and jib, they are able to reach anywhere thanks to their long lateral outreach and also the ability to work in negative.

**S27**



**S30**



**S32**



# BENEFITS



## Easy to transport

As high in performance, as they are low in weight and compact in size, CMC DP series platforms are self-loading and easy to transport on a truck.

## Versatile to use

With their exceptional working height, long lateral outreach, ability to work in negative, high levelling and stabilising capabilities, with the support of the automatic guidance and control system, CMC DP series platforms can go anywhere and operate in any conditions.



## Simply to use

The DP series platforms are equipped with the Self Control System developed by CMC, an electronic system that automatically carries out a series of operations such as stabilisation, levelling, speed and smooth control of the booms and the closing of the aerial part.

# FEATURES

200 bar air/water hose and 230V and 12V socket in the basket

Two-man basket with quick release system and wheels

Radio remote control with color display



Self-diagnosis display

Self Control System by CMC

Basket rotation  $\pm 90^\circ$  (180°) with hydraulic engine

Electro-hydraulic proportional controls

Several engines available

Protective cover on the cylinder of the outriggers

Multiple Stabilisation areas

Hydraulically adjustable undercarriage in height and width



## Some available options

	<b>S27</b>	<b>S30</b>	<b>S32</b>
Version with lithium battery (200Ah)	●	●	
Version with lithium battery (300Ah)			●
Hybrid version (diesel engine + lithium batteries)	●	●	●
230V, 120V or 110V electric motor	●	●	
380V, 230V, 120V or 110V electric motor			●
Grey non-marking tracks	●	●	●
1 or 2 man fibreglass basket	●	●	●
Remote connection with Sim Card and GPS Locator	●	●	●
Customised colours	●	●	●

# CMC PLATFORMS APPLICATIONS



## **Renovation works**

even in places with difficult access such as worship places, historical buildings, hotels, and shopping centres.

**Facilities management**  
in mainly restricted traffic areas or in locations that are difficult for truck-mounted platforms.



## **Pruning tall trees**

and even operating in tight spaces inside private homes on particularly delicate turf.



# TECHNICAL DATA

# S27

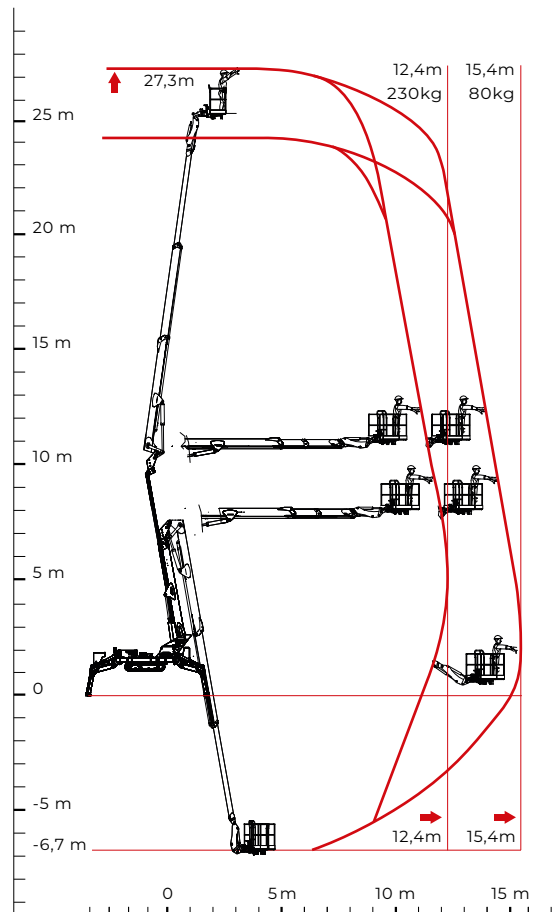
## PERFORMANCE AND DIMENSIONS

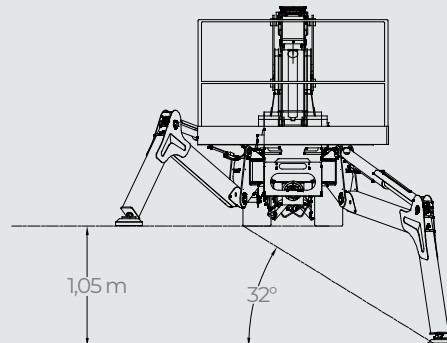
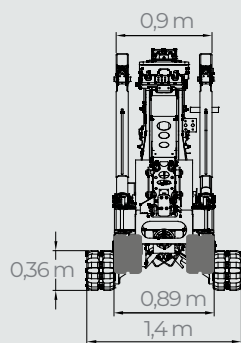
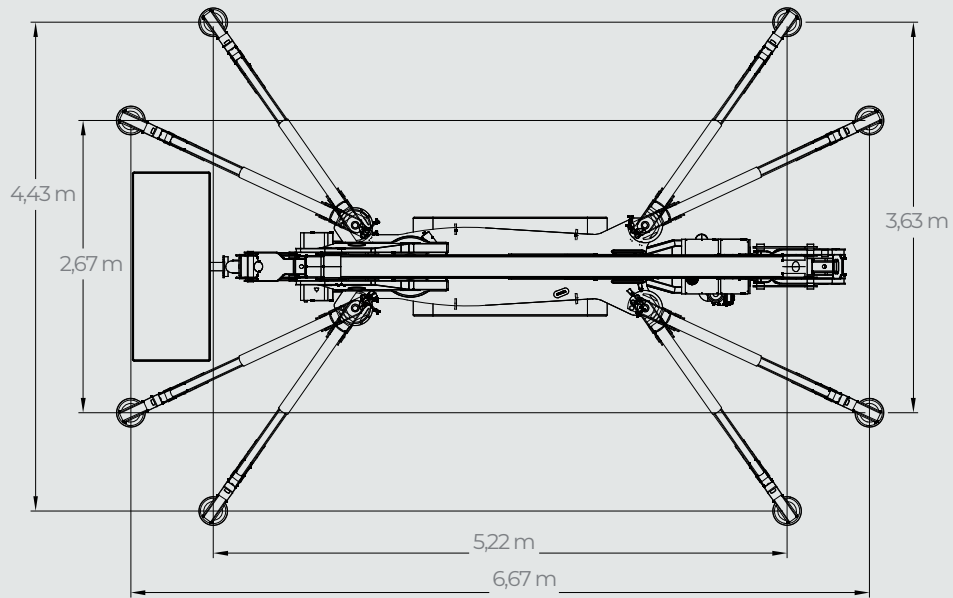
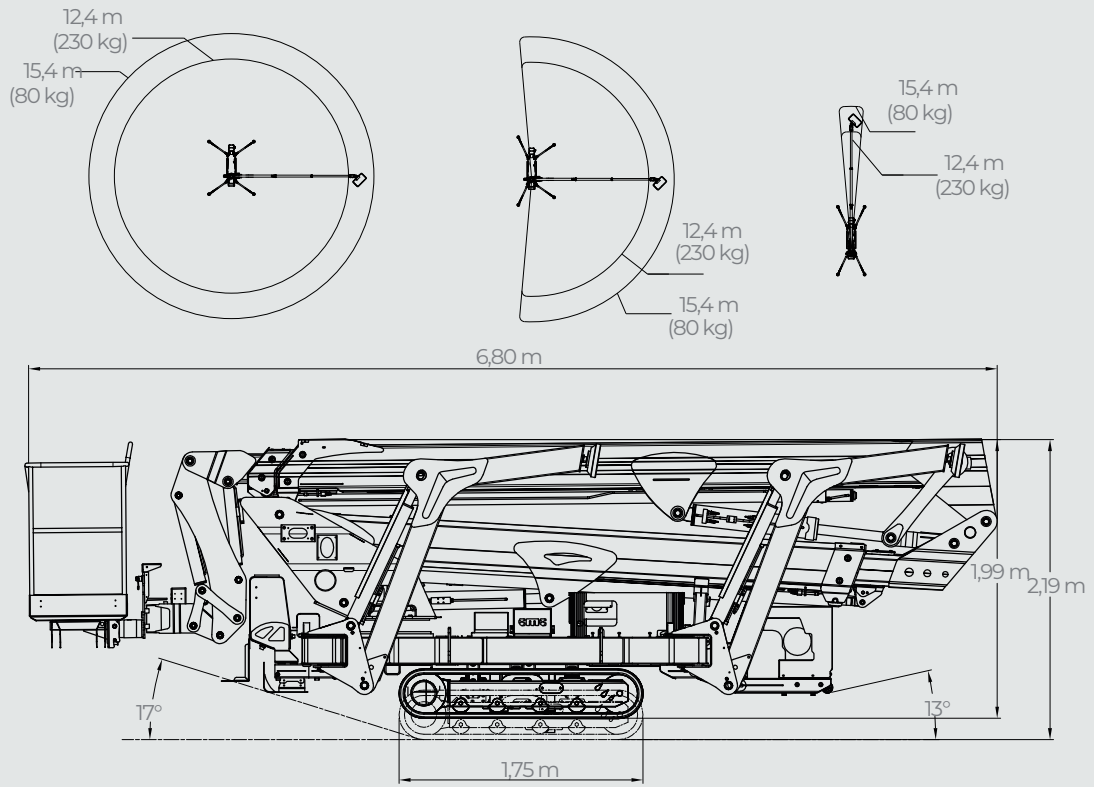


### Main features

This platform has compact design and high-performance capabilities: 27.3m working height, 15.4m of horizontal outreach and the ability to work in negative, down to -6.7m. With four stabilisation areas, it can perform a wide range of tasks with outstanding efficiency and reliability.

Max. working height	<b>27,3 m</b>
Possibility of working in negative	<b>-6,7 m</b>
Max. outreach	<b>15,4 m</b>
Platform height	<b>25,3 m</b>
Max. load in basket	<b>230 kg</b>
Basket dimensions	<b>1,7 x 0,7 x 1,1 m</b>
Basket rotation	<b>+/-90°</b>
Turret rotation	<b>+/- 200° (400° continuous)</b>
Total weight	<b>4109 Kg</b>





\*Technical data may change due to parts updates

# TECHNICAL DATA

# S30

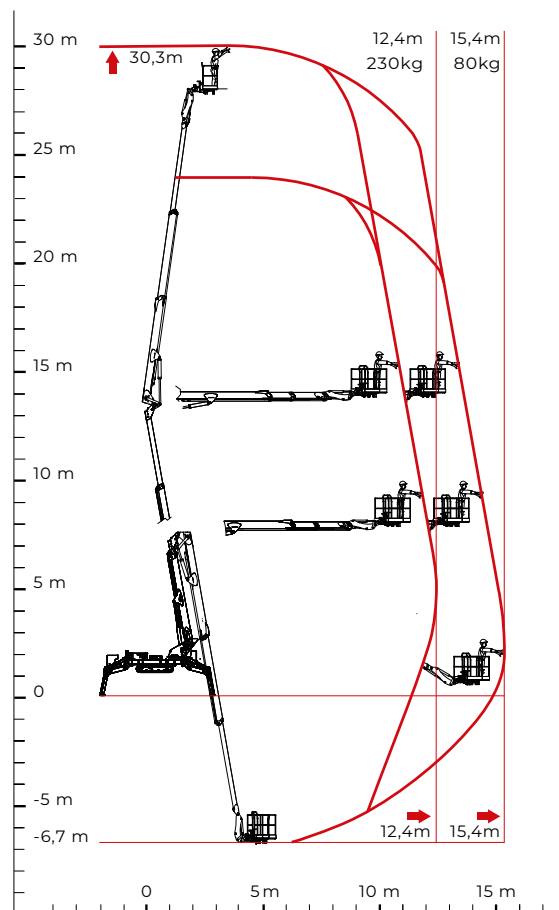
## PERFORMANCE AND DIMENSIONS

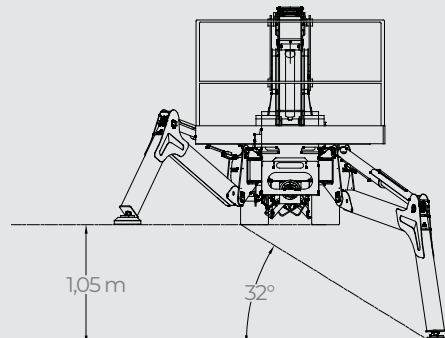
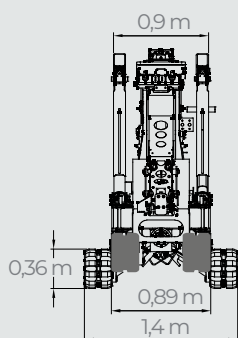
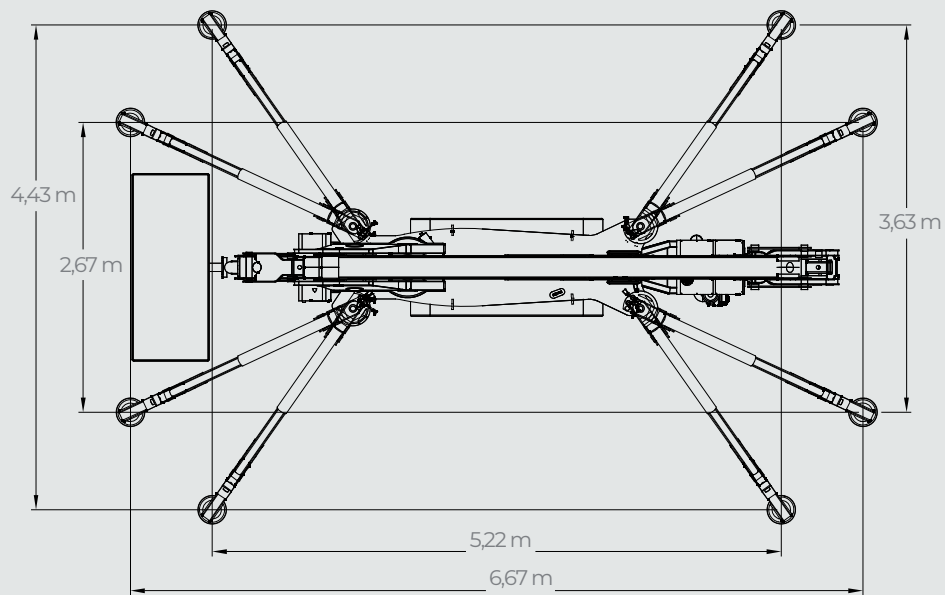
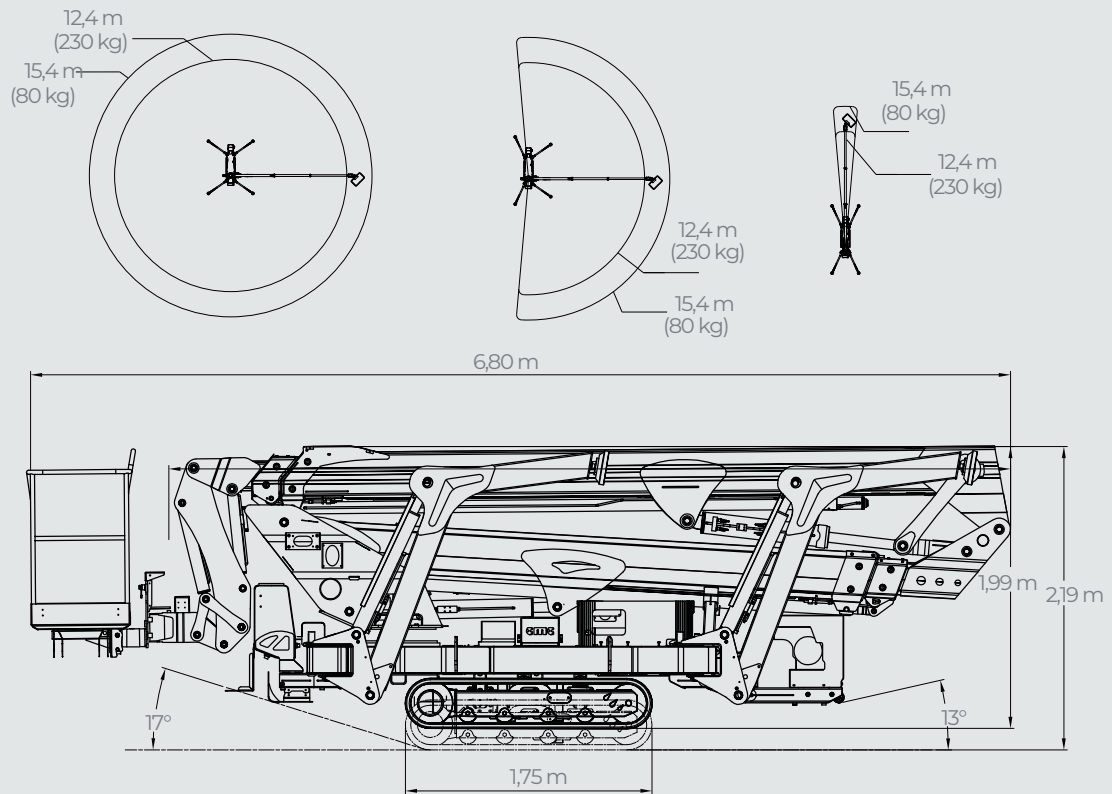


### Main features

A bundle of power and technology capable of performing in any application. It has four stabilisation areas, two working areas and climbing outriggers for working on all types of terrain and reaching even the most difficult spots with its maximum working height of 30.3m, lateral outreach of 15.4m and the ability to work in negative down to -6.7m.

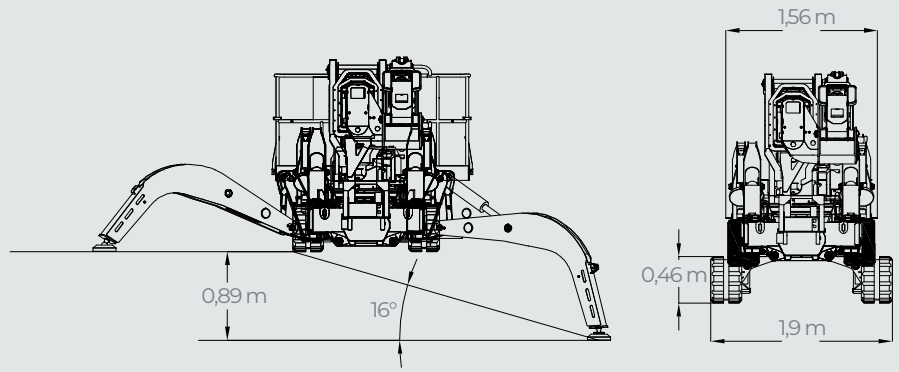
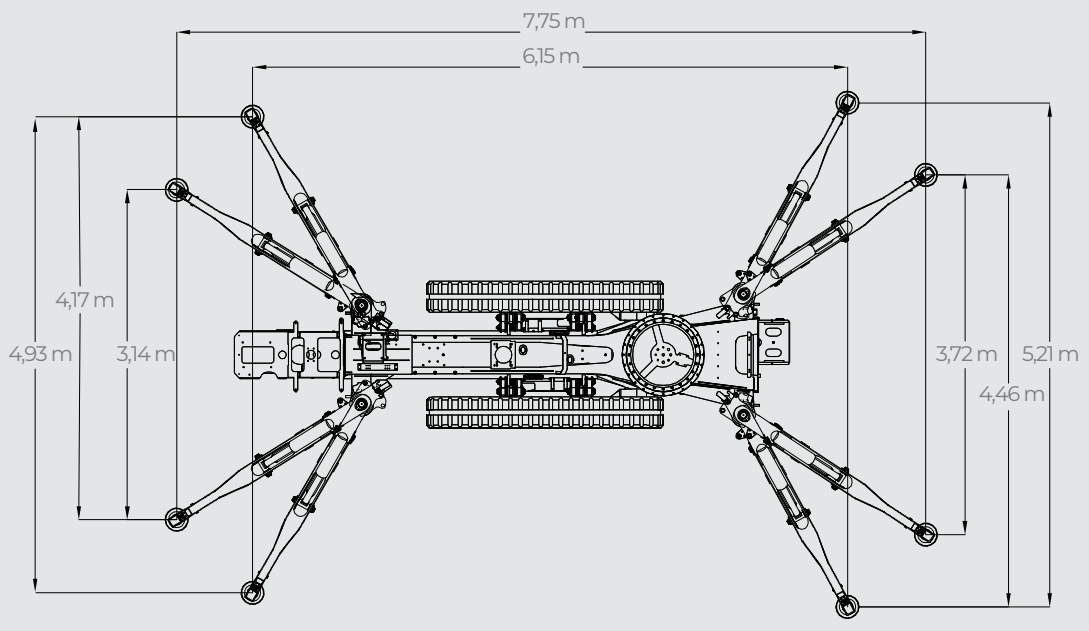
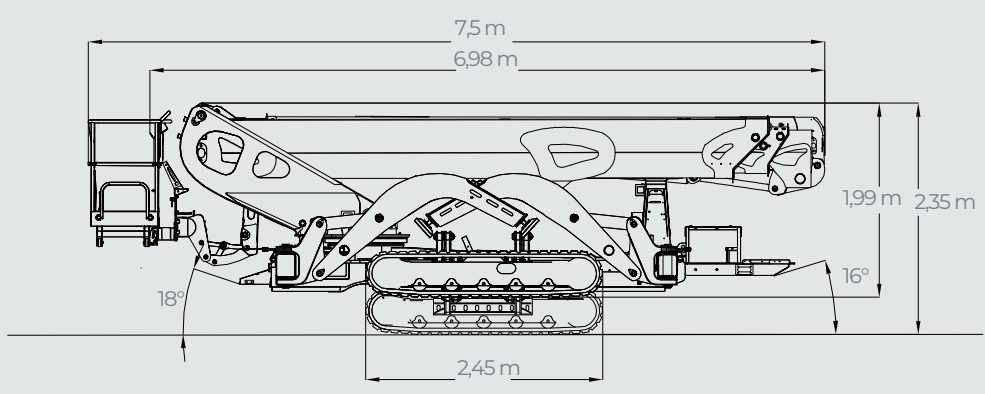
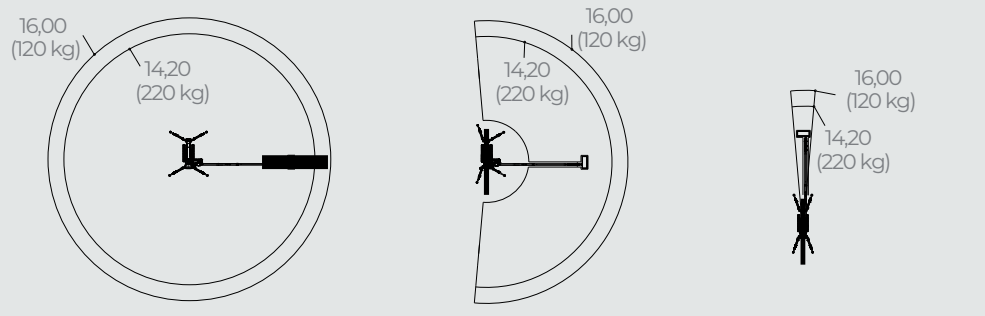
Max. working height	<b>30,3 m</b>
Possibility of working in negative	<b>-6,7 m</b>
Max. outreach	<b>15,4 m</b>
Platform height	<b>28,3 m</b>
Max. load in basket	<b>230 kg</b>
Basket dimensions	<b>1,7 x 0,7 x 1,1 m</b>
Basket rotation	<b>+/-90°</b>
Turret rotation	<b>+/- 200° (400° continuous)</b>
Total weight	<b>4285 Kg</b>





\*Technical data may change due to parts updates





\*Technical data may change due to parts updates



cmclift.com

CMC

LICENSED &



CMC  
THE SPECIALIST

S32

Two workers in orange safety vests and hard hats are standing on the ground, observing the tree work.

## CMC SELF-PROPELLED CRAWLER PLATFORMS

### F SERIES

MODEL	MAX. WORKING HEIGHT	MAX. OUTREACH	WEIGHT
S13F	12,9 m	8,5 m	1580 Kg
S15F	14,8 m	8,7 m	2378 Kg
S18F	17,78 m	11,15 m	2495 Kg

### LC SERIES

MODEL	MAX. WORKING HEIGHT	MAX. OUTREACH	WEIGHT
S15	14,9 m	6,9 m	1820 Kg
S20	19,9 m	10,4 m	2980 Kg
S23	23 m	12,4 m	3000 Kg

### HD SERIES

MODEL	MAX. WORKING HEIGHT	MAX. OUTREACH	WEIGHT
S19HD	18,7 m	11,4 m	2685 Kg
S22HD	21,6 m	12,5 m	3025 Kg

### DP SERIES

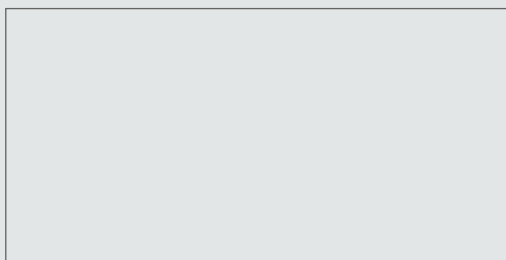
MODEL	MAX. WORKING HEIGHT	MAX. OUTREACH	WEIGHT
S27	27,3 m	15,4 m	4109 Kg
S30	30,3 m	15,4 m	4285 Kg
S32	32 m	16 m	7255 Kg

### XL SERIES

MODEL	MAX. WORKING HEIGHT	MAX. OUTREACH	WEIGHT
S41	41 m	19 m	13460 Kg

### i SERIES

MODEL	MAX. WORKING HEIGHT	MAX. OUTREACH	WEIGHT
i23	23,3 m	10,3 m	3930 Kg
i27	26,6 m	13,3 m	4680 Kg



**CMC**  
THE SPECIALIFT

C.M.C. s.r.l.  
Via Bitritto, 119 - 70124 Bari - Italy  
Tel. +39 080 532 66 06  
cmclift.com - info@cmclift.com

Follow us on

