



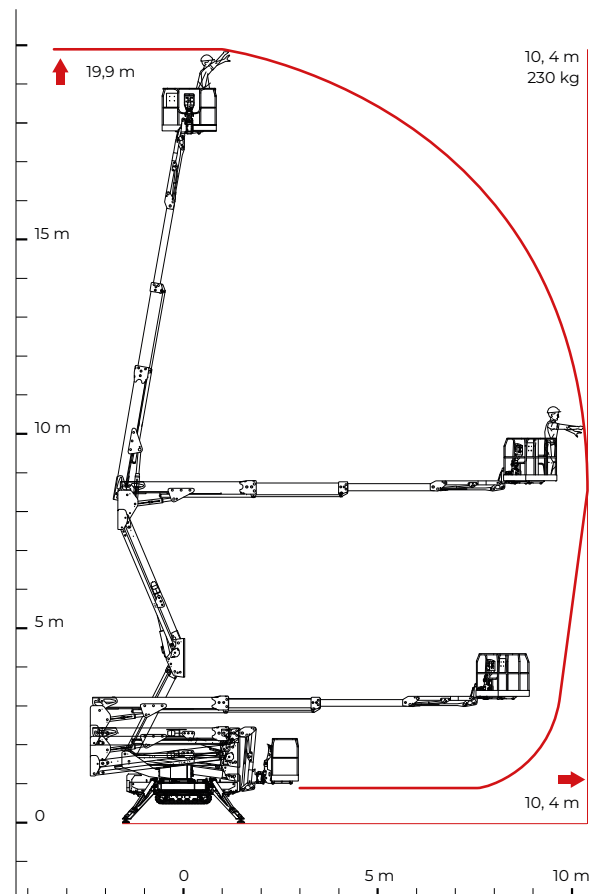
TECHNICAL SHEET

PERFORMANCE AND DIMENSIONS

Main features

Honda iGX390 petrol engine; Hydraulically adjustable tracks in width; Black rubber tracks; Basket rotation +/-90°; Two-man basket 140x70x110 cm equipped with quick-release system and wheels; 200 Bar air/ water hose in the basket; 230V/120V/110V and 12V electrical socket in the basket; Protective covers for outrigger cylinders; Display with error code detection; Proportional hydraulic controls; Proportional travel mode by radio remote control; Lifting hooks; Fixing points for transport; Triple travel speed; Automatic outriggers leveling; Standard painting (RAL 3000); 24-months warranty (see warranty condition).

Max. working height	19,9 m
Max Outreach	10,4 m
Height at floor level	17,9 m
Max Weight in the basket	230 kg
Basket dimensions	1,4 x 0,7 x 1,1 m
Basket Rotation	+/-90° (optional)
Turret Rotation	+/- 180° (360° non continuous)
Total Weight	2980 Kg



C.M.C. s.r.l.
Via Bitritto, 119 - 70124 Bari - Italy
Tel. +39 080 532 66 06
cmclift.com - info@cmclift.com



